

# Shindaiwa Illustrated Parts List

## Speed-Feed® 375 Trimmer Head



All Speed-Feed® trimmer heads are pre-wound with .095" (2.4mm) Silentwist™ trimmer line.

### **SPEED-FEED® 375**

P/N 78890-11000 .....	2
P/N 78890-12000 .....	3
P/N 78890-13000 .....	4
P/N 78890-14000 .....	5

[www.shindaiwa.com](http://www.shindaiwa.com)  
11975 SW Herman Road  
Tualatin, Oregon 97062, U.S.A.  
1 + 503.692.3070 • fax 1 + 503.692.6696 •

**shindaiwa**

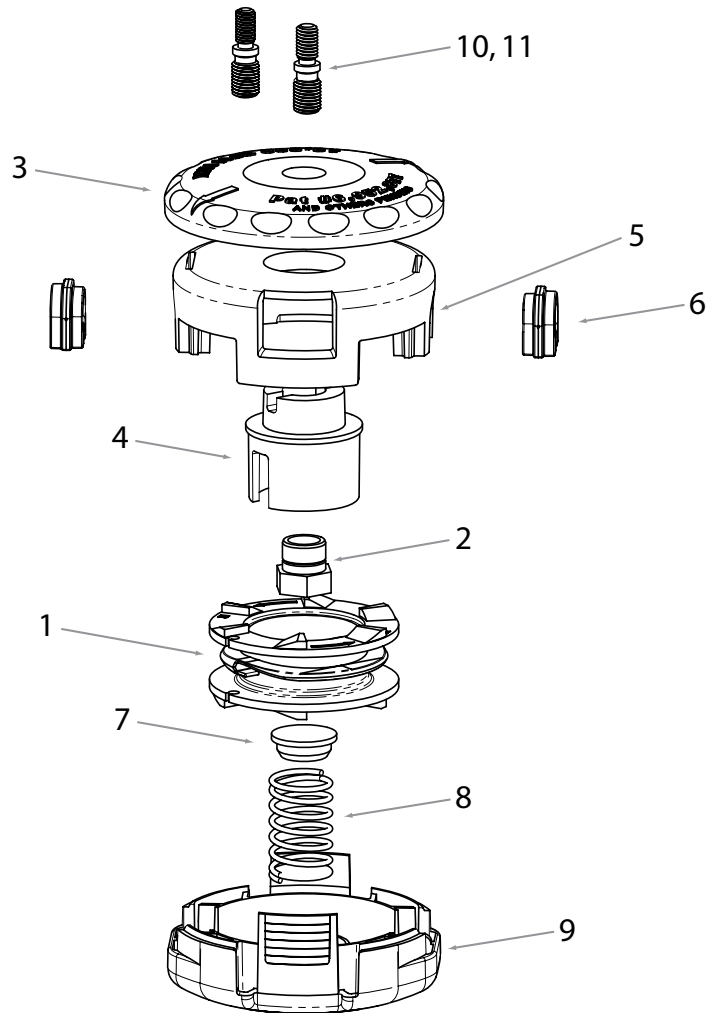
P/N 78890-11000

7MM LH

8MM LH

(Fits all 7mm & 8mm LH

Shindaiwa Straight Shaft Trimmers



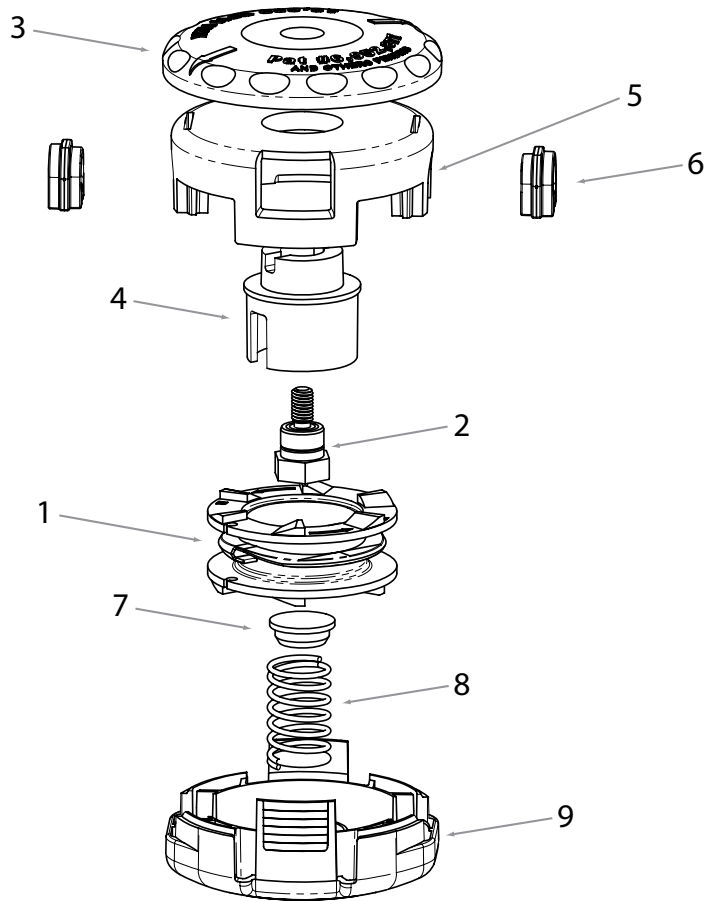
NOTE: Trimmer head is pre-wound with .095" (2.4mm) Silentwist™ trimmer line.

NO.	PART NUMBER	DESCRIPTION	DESCRIPCIÓN	NOM DE LA PIÈCE	QTY.
1	78890-11330	SPOOL LH	CARRETE LH	BOBINE LH	1
2	28820-07360	BUSHING	BUJE	BAGUE	1
3	78890-11310	KNOB	PERILLA	POIGNÉE	1
4	28820-07350	CORE	BASE CENTRAL	MOYEU	1
5	78890-11320	EYELET CARRIER	SOPORTE DE BOQUILLAS	CORP DE POULIE	1
6	28820-07340	EYELET	BOQUILLAS	PASSE-CÂBLE	2
7	28820-07380	CAP	TAPA	CAPUCHON	1
8	17500-23600	SPRING	RESORTE	RESSORT	1
9	78890-11340	COVER	TAPA	COUVERCLE	1
10	28820-07400	STUD, 7MM LH	PERNO, 7MM LH	BOULON, 7MM LH	1
11	28820-07410	STUD, 8MM LH	PERNO, 8MM LH	BOULON, 8MM LH	1

P/N 78890-12000

7MM LH

(Fits Shindaiwa 22T,  
C20, C230, C232,  
C242, C250, C2510,  
LT18, LT20, M230,  
M231, M2500, M2510,  
T18, T20, T230, T231,  
T232, T242, T250,  
T2500, T2510)



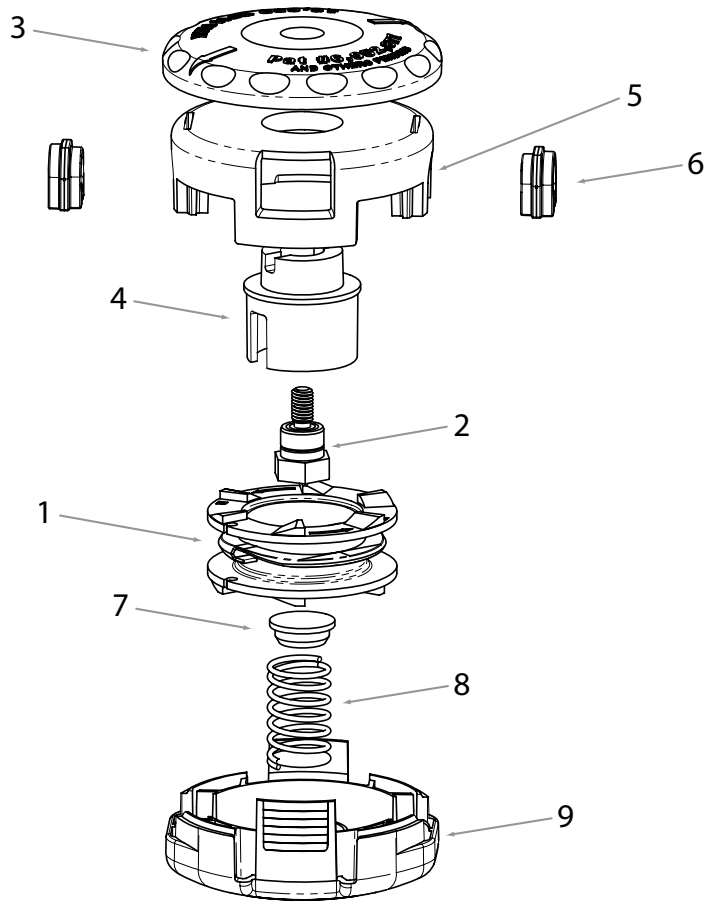
NOTE: Trimmer head is pre-wound with .095" (2.4mm) Silentwist™ trimmer line.

NO.	PART NUMBER	DESCRIPTION	DESCRIPCIÓN	NOM DE LA PIÈCE	QTY.
1	78890-11330	SPOOL LH	CARRETE LH	BOBINE LH	1
2	28820-09310	ARBOR BOLT 7MM LH	PERNO, 7MM LH	BOULON, 7MM LH	1
3	78890-11310	KNOB	PERILLA	POIGNÉE	1
4	28820-07350	CORE	BASE CENTRAL	MOYEU	1
5	78890-11320	EYELET CARRIER	SOPORTE DE BOQUILLAS	CORP DE POULIE	1
6	28820-07340	EYELET	BOQUILLAS	PASSE-CÂBLE	2
7	28820-07380	CAP	TAPA	CAPUCHON	1
8	17500-23600	SPRING	RESORTE	RESSORT	1
9	78890-11340	COVER	TAPA	COUVERCLE	1

P/N 78890-13000

8MM LH

(Fits Shindaiwa C25, C27, C260, C270, C3410, T25, T27, T260, T261, T270, T272, T350, T3410)



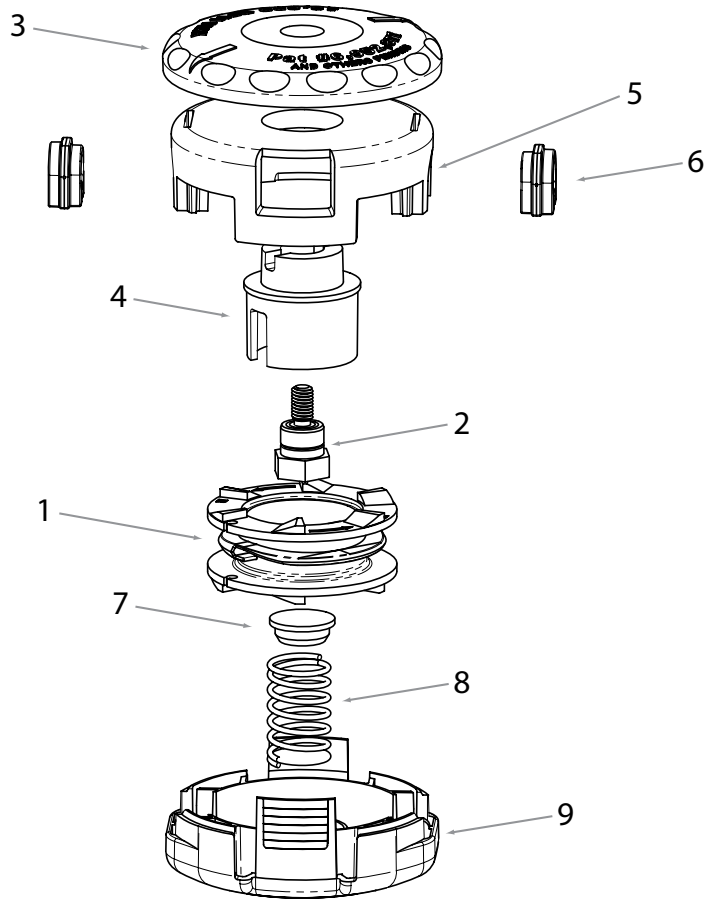
NOTE: Trimmer head is pre-wound with .095" (2.4mm) Silentwist™ trimmer line.

NO.	PART NUMBER	DESCRIPTION	DESCRIPCIÓN	NOM DE LA PIÈCE	QTY.
1	78890-11330	SPOOL LH	CARRETE LH	BOBINE LH	1
2	28820-11310	ARBOR BOLT 8MM LH	PERNO, 8MM LH	BOULON, 8MM LH	1
3	78890-11310	KNOB	PERILLA	POIGNÉE	1
4	28820-07350	CORE	BASE CENTRAL	MOYEU	1
5	78890-11320	EYELET CARRIER	SOPORTE DE BOQUILLAS	CORP DE POULIE	1
6	28820-07340	EYELET	BOQUILLAS	PASSE-CÂBLE	2
7	28820-07380	CAP	TAPA	CAPUCHON	1
8	17500-23600	SPRING	RESORTE	RESSORT	1
9	78890-11340	COVER	TAPA	COUVERCLE	1

P/N 78890-14000

8MM RH

(Fits Shindaiwa 22F, F18, F195S,  
F21, F220, F222, F230)



NOTE: Trimmer head is pre-wound with .095" (2.4mm) Silentwist™ trimmer line.

NO.	PART NUMBER	DESCRIPTION	DESCRIPCIÓN	NOM DE LA PIÈCE	QTY.
1	78890-14310	SPOOL RH	CARRETE RH	BOBINE RH	1
2	78890-11350	ARBOR BOLT 8MM RH	PERNO, 8MM RH	BOULON, 8MM RH	1
3	78890-11310	KNOB	PERILLA	POIGNÉE	1
4	28820-07350	CORE	BASE CENTRAL	MOYEU	1
5	78890-11320	EYELET CARRIER	SOPORTE DE BOQUILLAS	CORP DE POULIE	1
6	28820-07340	EYELET	BOQUILLAS	PASSE-CÂBLE	2
7	28820-07380	CAP	TAPA	CAPUCHON	1
8	17500-23600	SPRING	RESORTE	RESSORT	1
9	78890-11340	COVER	TAPA	COUVERCLE	1



**shindaiwa**

[www.shindaiwa.com](http://www.shindaiwa.com)

11975 SW Herman Road, Tualatin, Oregon 97062, U.S.A.  
1 + 503.692.3070 • fax 1 + 503.692.6696 •

Item #81710 Effective 05/07